

THIS DRAWING IS UNPUBLISHED. RELEASED FOR PUBLICATION ,19 .
 © COPYRIGHT 19 BY AMP INCORPORATED. ALL INTERNATIONAL RIGHTS RESERVED.

| LOC | DIST | P | F | REVISIONS | | | | |
|-----|------|---|---|-----------|-----|----------------------|---------|-------|
| G | 14 | | | ZONE | LTR | DESCRIPTION | DATE | APPD |
| | | | | B | | REV PER 0G3A-0001-03 | 06JAN03 | JR TM |

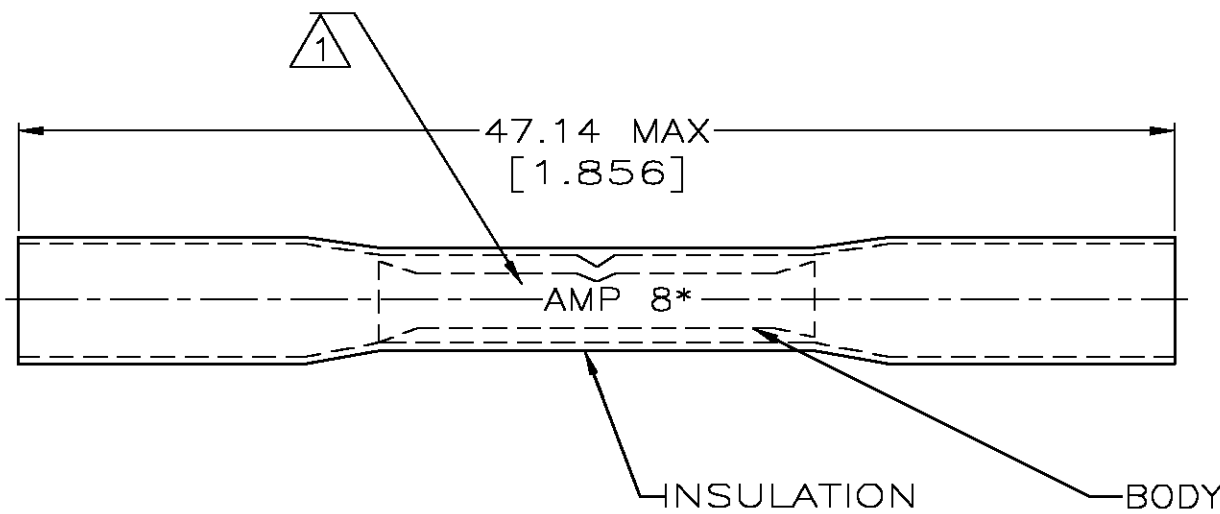
| | | |
|--------------------------|----------------|----------------|
| AMP WIRE RANGE | Listed | Certified |
| 8 AWG STRANDED | 8 AWG STRANDED | 8 AWG STRANDED |

METRIC

DIMENSIONS LISTED IN mm [INCHES]

NOTES:

- 1 STAMP AMP 8* APPROX AS SHOWN
- 2. WIRE INSULATION DIA 7.87mm [.310] MAX



**AMP INCORPORATED
CUSTOMER SERVICE SYSTEMS**

| | |
|--|--|
| FOR ADDITIONAL PRODUCT INFORMATION OR COPIES OF DRAWINGS AND TECHNICAL DOCUMENTS | PRODUCT INFORMATION CENTER 1-800-522-6752 |
| FOR APPLICATION TOOLING INFORMATION | TOOLING ASSISTANCE CENTER 1-800-722-1111 |
| FOR ORDER ENTRY | 1-800-526-5142 |

MAX RECOMMENDED OPERATING TEMPERATURE:

125° C MAX

VOLTAGE RATING:
600V MAX (BUILDING WIRING)
1000V MAX (FIXTURES & SIGNS)

CIRCULAR MIL AREA:
6.64-10.54mm² [13100-20800]
STRANDED

THIS DRAWING IS A CONTROLLED DOCUMENT FOR AMP INCORPORATED. IT IS SUBJECT TO CHANGE AND THE CONTROLLING ENGINEERING ORGANIZATION SHOULD BE CONTACTED FOR THE LATEST REVISION.

DO NOT SCALE PRINT. UNLESS SPECIFIED
 DIMENSIONS IN mm [INCHES]
 TOLERANCES ON:
 2 PLC DEC ± 0.20[.008]
 3 PLC DEC ± -
 ANGLES ± -

MATERIAL
 BODY: ETP COPPER
 INSULATION: POLYOLEFIN
 COLOR: RED

FINISH
 EDP TIN PLATED

| | | |
|------------------------|--|--------------------|
| 10 | LOOSE PIECE | 8-55845-5 |
| 100 | LOOSE PIECE | 55845-1 |
| QTY | PACKAGE TYPE | PART NO |
| DR 6/93 S S GOULDEN | AMP AMP Incorporated Harrisburg, PA 17105-3608 | |
| CHK 6/93 R HERSEY | | |
| APPD 6/93 B BARE | NAME SPLICE SEALABLE HEAT SHRINKABLE | |
| APPD 6/93 M ELLIS | SIZE B | CAGE CODE 00779 |
| PRODUCT SPEC - | DRAWING NO C-55845 | |
| APPLICATION SPEC - | SCALE NTS | SHEET 1 OF 1 |
| WEIGHT - | | |